



Bladder Tank-Vertical

Bladder Tank - Vertical MTB-V

General Description

A bladder tank is a steel vessel containing a rubber bladder which in turn contains the foam concentrate. A bladder tank does not have any moving parts and requires a minimum of maintenance.

Application Description

The bladder tank is used to induce foam concentrate into water systems with variable flows and/or pressures.

The bladder tank forms part of a foam proportioning system used in conjunction with a SKUM tank proportioner.

The system is ideal for upgrading a water sprinkler system to a foam / water sprinkler system. Constant proportioning, irrespective of flow, is achieved by a pressure balance between the foam liquid in the bladder and the water in the system flowing over the proportioner.

Product Features

- Tank manufactured to PED (CE marked) standard
- Available in volumes up to 12,000 litres
- Can be used with standard and wide range proportioners

Connections

- Foam / water inlet: flanged according to DIN PN16 or ANSI 150 lbs



Optional Information - Please Specify

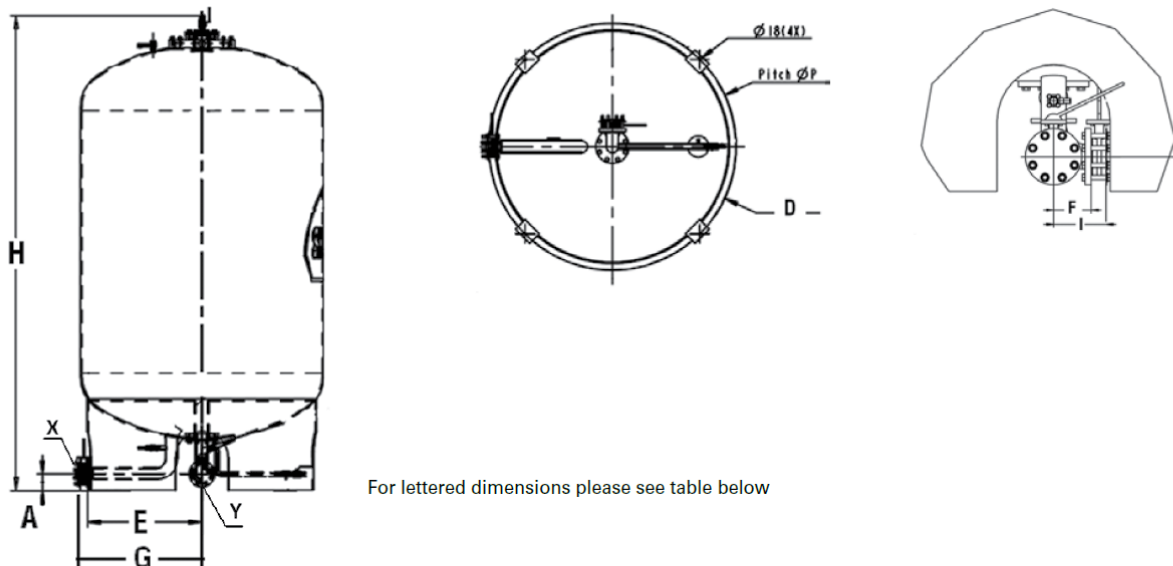
- Valve and level gauge
- Level indicator
- Fully pre-piped version complete with proportioners

Order Information - Please Specify

1. Part number
2. Tank type
3. Tank size

Specifications

Design Pressure	12.1 bar / 175 psi
Design Standard	PED (CE marked)
Material: Pressure Vessel	Carbon steel
Material: Bladder	Butyl rubber
Material: Internals	Stainless steel
Surface Treatment:	Outside - primer and red epoxy
Scope of supply:	Water / foam inlet and vent plugged
	Stainless steel valves at foam filling connection and vent
	Butterfly valves 2" or 3" (Wafer types) on Foam and Water Ports
Scope of supply: Water drain valve	1" Connection BSP female
Scope of supply: Water / Air vent valve	1" Connection BSP female
Scope of supply: Foam / Air vent valve	1" Connection BSP female
Scope of supply: Foam filling / drain valve	1" Connection BSP female



For lettered dimensions please see table below

Specifications

MTB-V reference	Model (Ltr)	Dimensions (mm)								Connection		Weight (Kg)
		D	H	A	E	F	G	I	P	Water (X)	Foam (Y)	
127708104	400	800	1563	98	362	91	412	141	785	2"	2"	275
127708207	600	800	2063	98	362	91	412	141	785	2"	2"	330
127711108	800	800	2413	98	362	91	412	141	785	2"	2"	370
127711209	1000	1100	1930	98	492	91	545	141	1049	2"	2"	450
127711299	1200	1100	2130	98	492	91	545	141	1049	2"	2"	500
127711407	1500	1100	2430	98	492	91	545	141	1049	2"	2"	550
127711510	2000	1100	3030	98	492	91	545	141	1049	2"	2"	650
127714108	2500	1400	2541	130	645	133	698	186	1396	3"	3"	950

MTB-V reference	Model (Ltr)	Dimensions (mm)								Connection		Weight (Kg)
		D	H	A	E	F	G	I	P	Water (X)	Foam (Y)	
127714227	3000	1400	2891	130	645	133	698	186	1396	3"	3"	1050
127714304	3500	1400	3191	130	645	133	698	186	1396	3"	3"	1150
127714410	4000	1400	3591	130	645	133	698	186	1396	3"	3"	1250
127714508	4500	1400	3891	130	645	133	698	186	1396	3"	3"	1350
127714605	5000	1400	4191	130	645	133	698	186	1396	3"	3"	1450
127714707	5500	1400	4591	130	645	133	698	186	1396	3"	3"	1550

MTB-V reference	Model (Ltr)	Dimensions (mm)								Connection		Weight (Kg)
		D	H	A	E	F	G	I	P	Water (X)	Foam (Y)	
127714816	6000	1400	4891	130	645	133	698	186	1396	3"	3"	1650
127714904	6500	1400	5391	130	645	133	698	186	1396	3"	3"	1800
127718109	7000	1850	3627	130	873	133	926	186	1846	3"	3"	2100
127715055	8000	Available on request								3"	3"	
127715058	10000									3"	3"	
127715061	12000									3"	3"	

FlameSkill Ltd
 1 Morton Peto Estate
 Great Yarmouth
 Norfolk
 NR31 0LT
 Tel: 01493 440464
 Email: admin@flameskill.co.uk
 Web: www.flameskill.co.uk